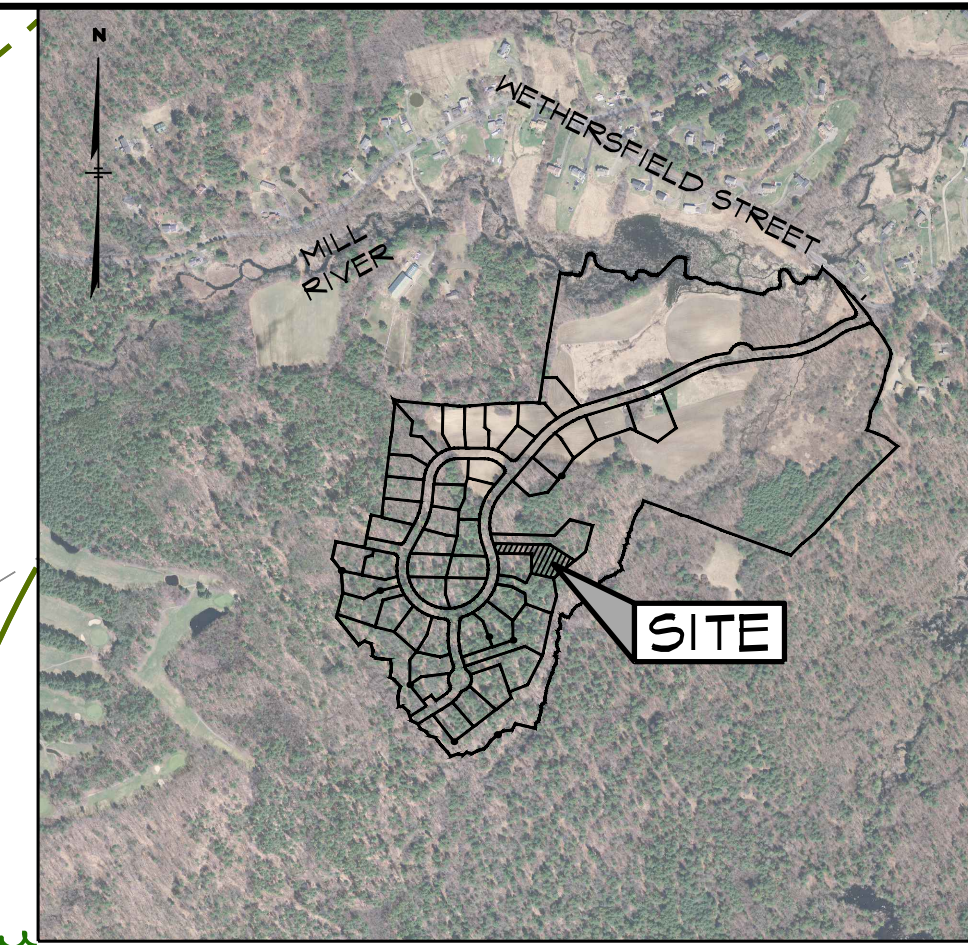


revisions

no.	date	description
0	8.05.22	ISSUED FOR REVIEW



LOCATION PLAN
SCALE: 1"=1000'
SOURCE: MASSGIS

PROJECT GENERAL NOTES

- EXISTING BOUNDARY LINE, TOPOGRAPHIC, AND SITE UTILITY INFORMATION IS BASED UPON SURVEY PERFORMED BY DONOHOE SURVEY INC..
- PRIOR TO WORK, CONTRACTOR SHALL HAVE THE PROPOSED SITE LAID OUT VERTICALLY AND HORIZONTALLY BY A PROFESSIONAL LAND SURVEYOR. CONTRACTOR SHALL COORDINATE WITH PROFESSIONAL LAND SURVEYOR FOR CONSTRUCTION BENCHMARK.
- CONTRACTOR SHALL PROVIDE ADEQUATE BRACING AND SHORING OF ALL EXCAVATIONS IN ACCORDANCE WITH THE REQUIREMENTS OF ALL GOVERNING CODES AND REGULATIONS.
- CONTRACTOR SHALL COORDINATE WITH THE STATE POLICE AND/OR THE LOCAL POLICE DEPARTMENT FOR TRAFFIC RELATED ISSUES PRIOR TO COMMENCING WORK. CONTRACTOR SHALL PROVIDE ALL NECESSARY TRAFFIC COORDINATION AND POLICE DETAILS AS REQUIRED BY THE CITY, TOWN OR STATE.
- CONTRACTOR SHALL SAW-CUT PAVEMENT WHERE PAVEMENT TO BE REMOVED ABUTS PAVEMENT WHICH IS TO REMAIN AND WHERE NEW PAVEMENT ABUTS EXISTING PAVEMENT.
- CONTRACTOR SHALL MAINTAIN ALL NEW AND EXISTING UTILITIES IN GOOD WORKING ORDER AND SHALL PROTECT THEM FROM DAMAGE AT ALL TIMES THROUGHOUT CONSTRUCTION UNTIL WORK IS COMPLETED AND ACCEPTED.
- FINAL LOCATION OF WATER SERVICE SHUT OFF TO BE DETERMINED BY UTILITY PROVIDER.

OWNER

TAYLOR LANE LLC
357 NORTH STREET
GEORGETOWN, MA 01833

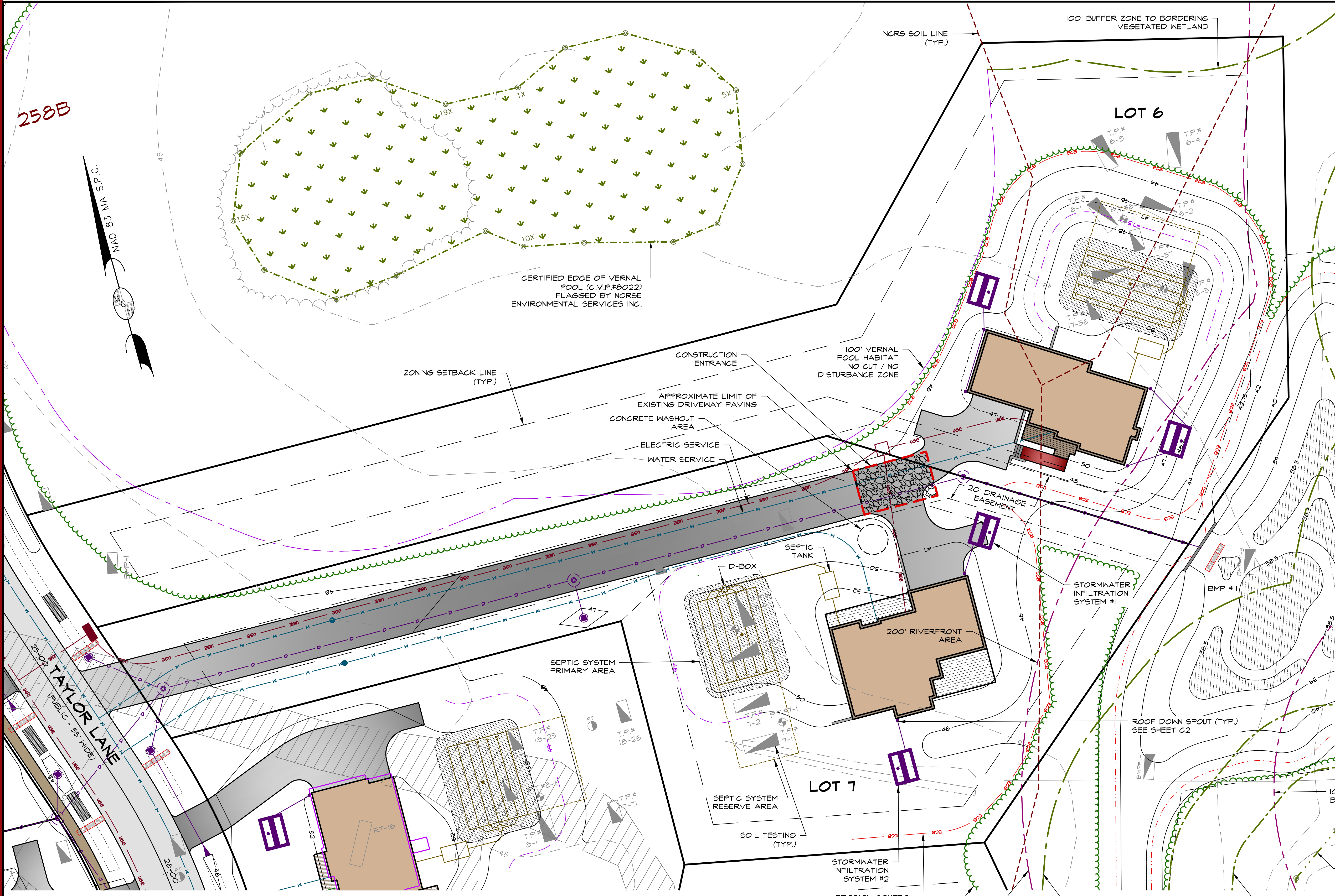
CONSULTANTS DESIGN TEAM:

ATTORNEY:
MANN & MANN CONSULTORS AT LAW
191 S MAIN STREET #104
MIDDLETON, MA, 01949
978.762.6238

CIVIL ENGINEER:
ASB DESIGN GROUP, LLC
363 BOSTON STREET
TOPPSFIELD MA 01983
978.500.8419

SURVEYOR:
DONOHOE SURVEY, INC.
363 BOSTON STREET
TOPPSFIELD MA 01983
978.887.6161

WETLANDS
NORSE ENVIRONMENTAL SERVICES, INC.
92 MIDDLESEX ROAD
UNIT 4
TYNGSBORO, MA 01879
978.649.4932



DIRECTION OF STORMWATER FLOW
→ DIRECTION OF STORMWATER RUNOFF (DSR)

TOTAL BUFFER ZONE DISTURBANCE
TOTAL RIVERFRONT DISTURBANCE = 202 SF.
(100' INNER RIPARIAN TO 200' RIVERFRONT AREA)

ADDITIONAL APPROVALS

- CONTRACTOR SHALL ALSO REFER TO AND REVIEW THE FOLLOWING ADDITIONAL PLANS AND APPROVALS PRIOR TO CONSTRUCTION:
 - ROWLEY BOARD OF HEALTH - SEPTIC SYSTEM PLANS.



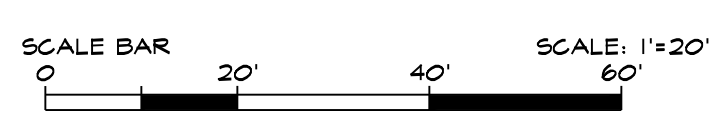
BEFORE CONSTRUCTION CALL (12 HOURS IN ADVANCE):
• "DIG SAFE" AT 1-888-DIG SAFE
• 1-888-344-1233

INDEX OF SHEETS

- C1 SHEET 1 OF 2 SITE & SWPP PLAN
C2 SHEET 2 OF 2 SITE, DRAINAGE & EROSION CONTROL DETAILS

DIG SAFE NOTES

- IN ACCORDANCE WITH CHAPTER 82 SECTION 40 INCLUDING AMENDMENTS, THE CONTRACTOR SHALL NOTIFY IN WRITING ALL UTILITY COMPANIES AND GOVERNMENT AGENCIES PRIOR TO EXCAVATION WORK AND CALL DIG-SAFE AT 1-800-DIG-SAFE PRIOR TO COMMENCING WORK.
- THE LOCATION OF EXISTING UNDERGROUND UTILITIES ARE SHOWN IN AN APPROXIMATE WAY ONLY AND HAVE NOT BEEN INDEPENDENTLY VERIFIED BY THE OWNER OR ITS REPRESENTATIVES. THE CONTRACTOR SHALL DETERMINE THE EXACT LOCATION OF ALL EXISTING UTILITIES BEFORE COMMENCING WORK, AND AGREES TO BE FULLY RESPONSIBLE FOR ANY AND ALL DAMAGES WHICH MIGHT BE OCCASIONED BY THE CONTRACTORS FAILURE TO EXACTLY LOCATE AND PRESERVE ANY AND ALL UNDERGROUND UTILITIES.
- WHERE AN EXISTING UTILITY IS FOUND TO CONFLICT WITH THE PROPOSED WORK, THE LOCATION, ELEVATIONS, AND SIZE OF THE UTILITY SHALL BE ACCURATELY DETERMINED WITHOUT DELAY BY THE CONTRACTOR AND THE INFORMATION FURNISHED TO THE ENGINEER FOR RESOLUTION OF THE CONFLICT.
- CONTRACTOR SHALL FIELD VERIFY AND LOCATE ALL EXISTING UTILITIES AND REPORT ANY DISCREPANCIES TO THE ENGINEER PRIOR TO COMMENCING WORK.



revisions

no.	date	description
0	8.05.22	ISSUED FOR REVIEW

plan submission
NOTICE OF INTENT
LOT 7
43 TAYLOR LANE

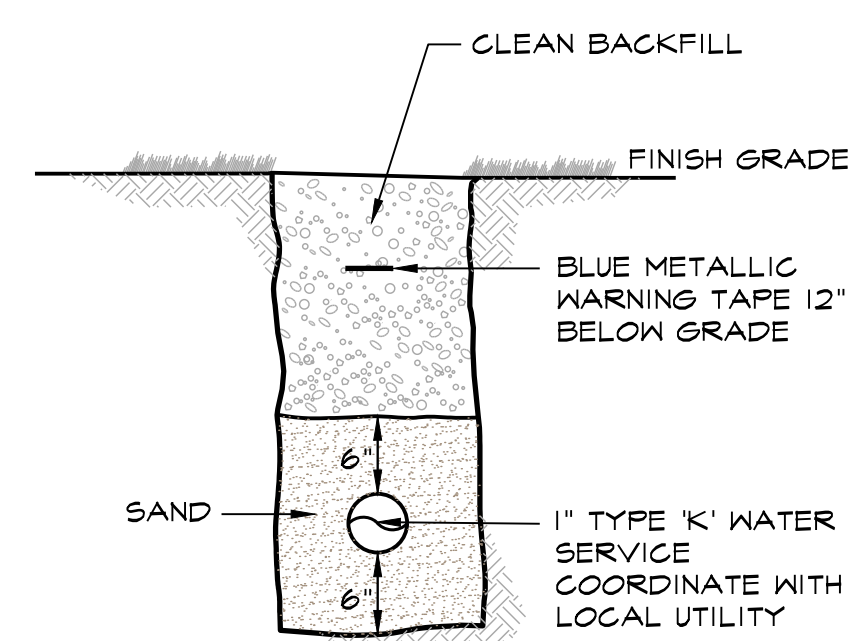
date: 08.05.2022
scale: AS NOTED
job no: 2017-22
DEP no: 063-0692 O.R.A.D.
DEP no: 063-0693 N.O.I.
DEP no: 063-0699 N.O.I.
DEP no LOT 7: I.B.D.



drawing name

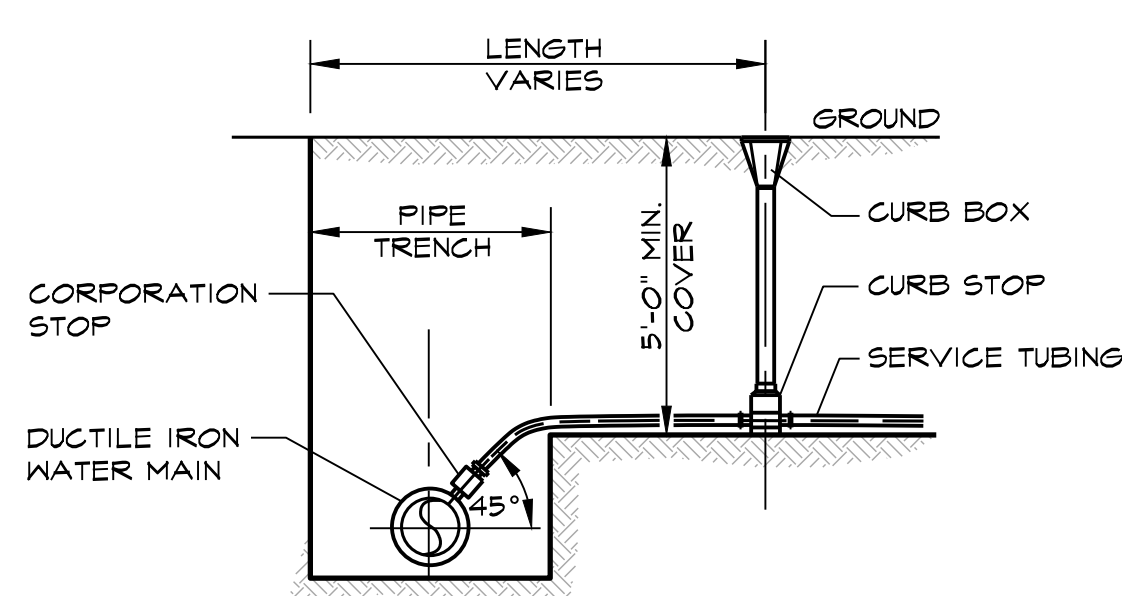
**SITE,
DRAINAGE &
EROSION
CONTROL
DETAILS**

drawing number



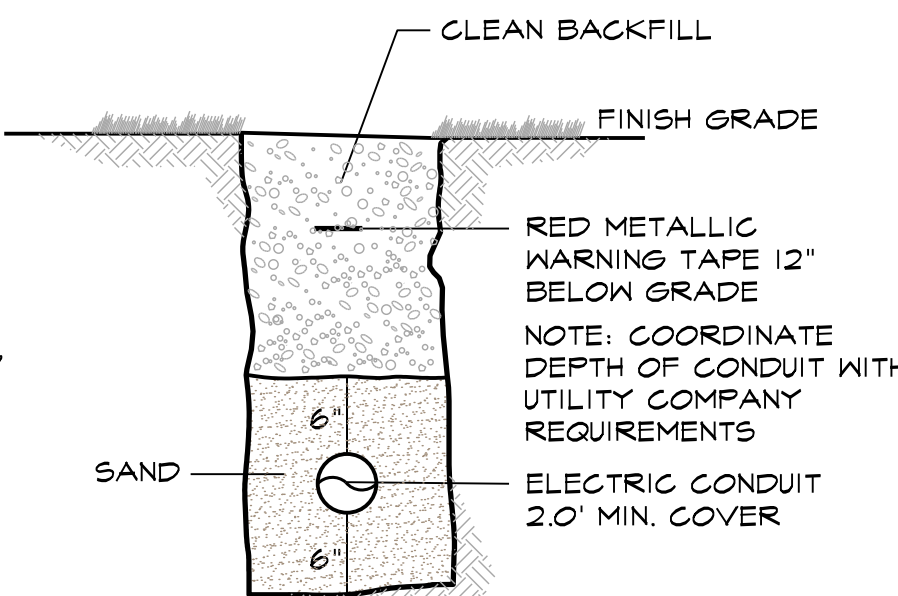
WELL/WATER SERVICE TRENCH

NOT TO SCALE



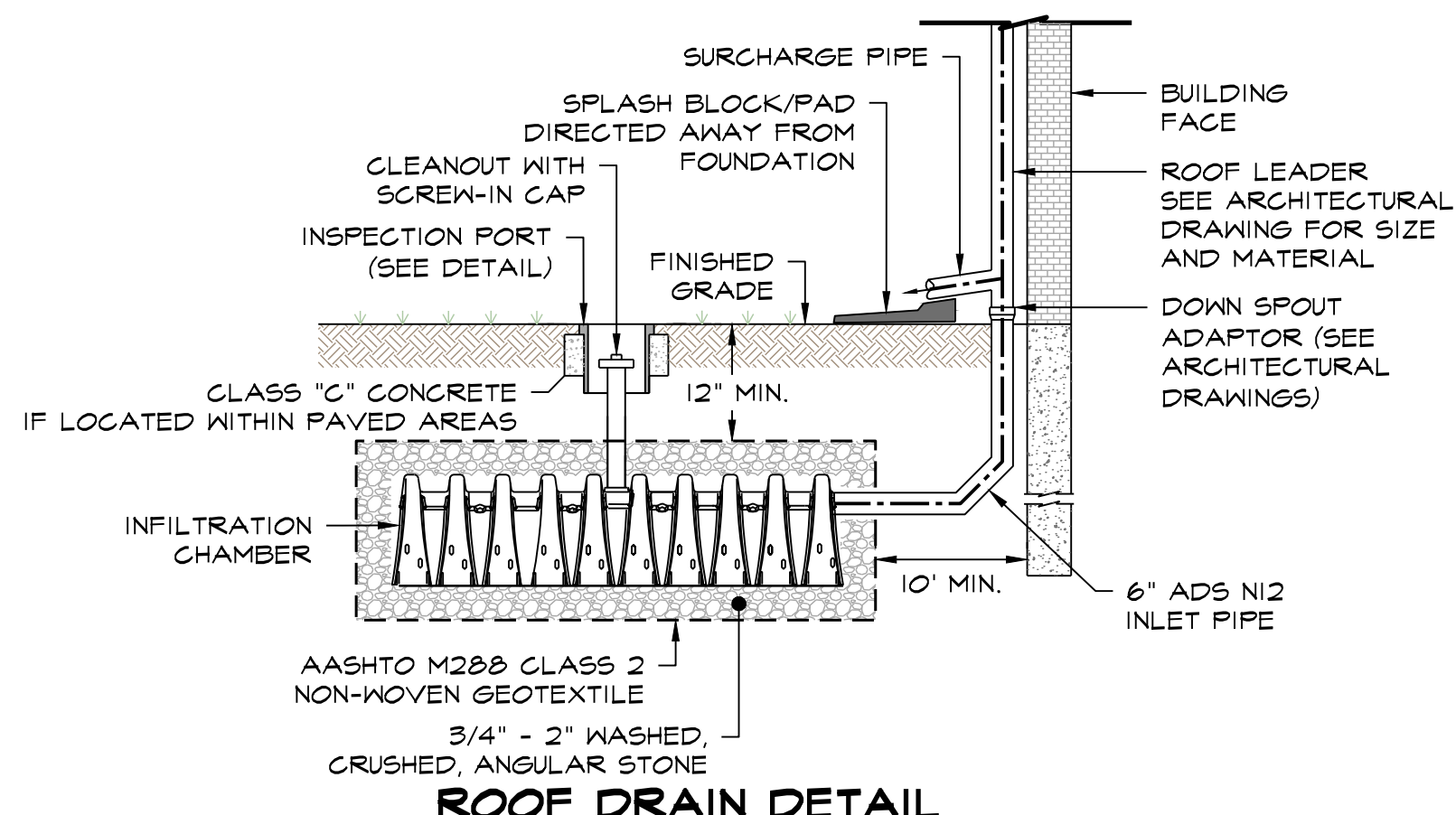
TYPICAL WATER SERVICE

NOT TO SCALE



ELECTRIC SERVICE TRENCH

NOT TO SCALE



ROOF DRAIN DETAIL

NOT TO SCALE

ROOF DRAINAGE: GUTTERS AND DOWN SPOUTS

- CONTRACTOR SHALL COORDINATE FINAL GUTTER AND DOWN SPOUT LOCATIONS WITH THE ARCHITECTURAL DRAWINGS.
- CONTRACTOR SHALL ADJUST THE FINAL LOCATIONS OF DOWN SPOUTS TO ROOF DRAINAGE PIPE CONNECTION TO AVOID ANY CONFLICTS WITH THE BUILDING AND ADJACENT SURFACE FEATURES.
- UNLESS OTHERWISE NOTED ALL ROOF RUNOFF DRAINAGE PIPE WILL BE 6" ADS N12 PIPE.
- ALL GUTTER/DRAINAGE CONNECTIONS SHALL HAVE AN OVERFLOW OUTLET.

STORM WATER RECHARGE:

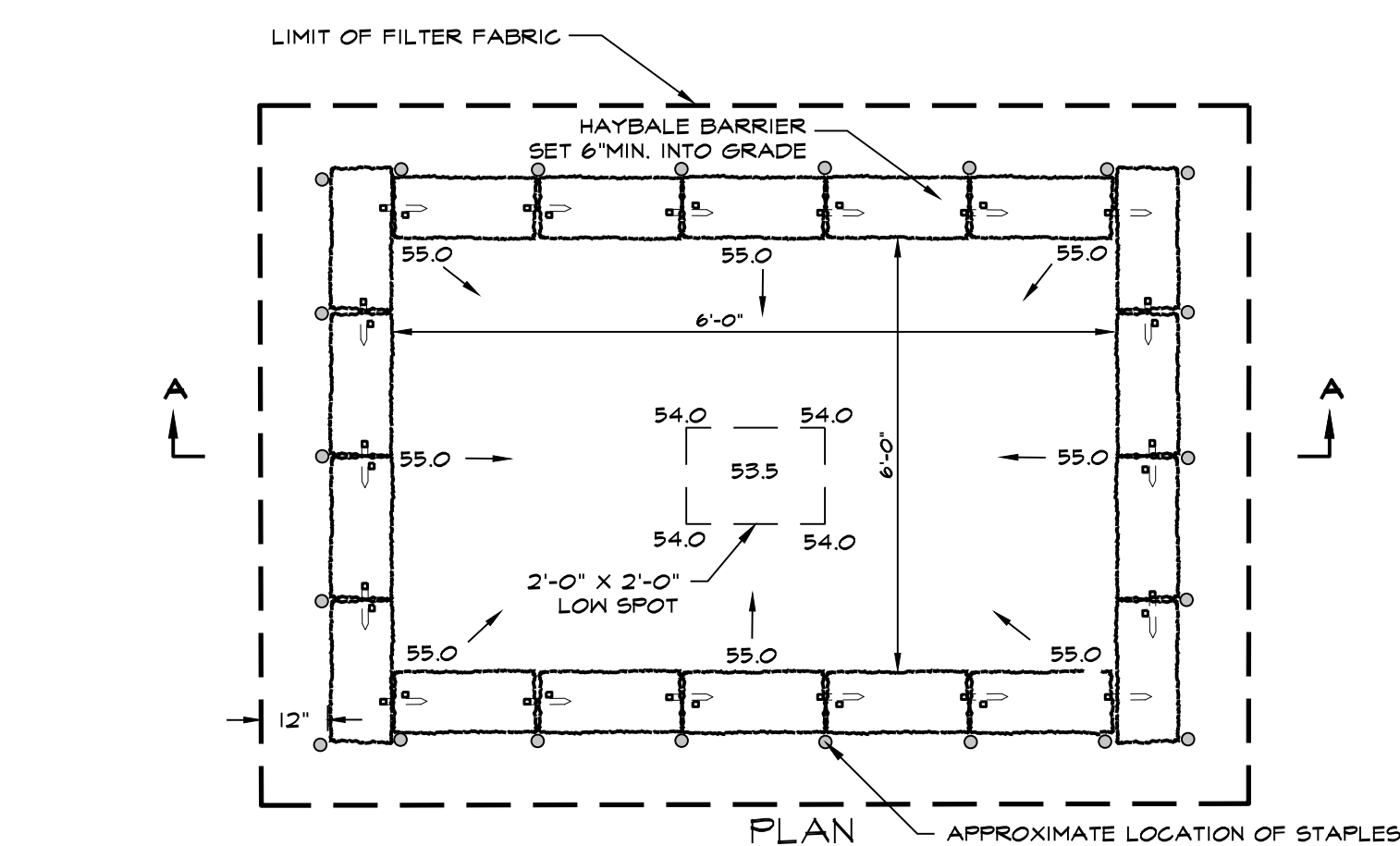
TOTAL RECHARGE REQUIRED = 7,981 C.F. (SEE STORM WATER CHECKLIST WRITE UP)

RECHARGE REQUIRED PER LOT = 7,981 C.F./49 = 162.9 C.F.

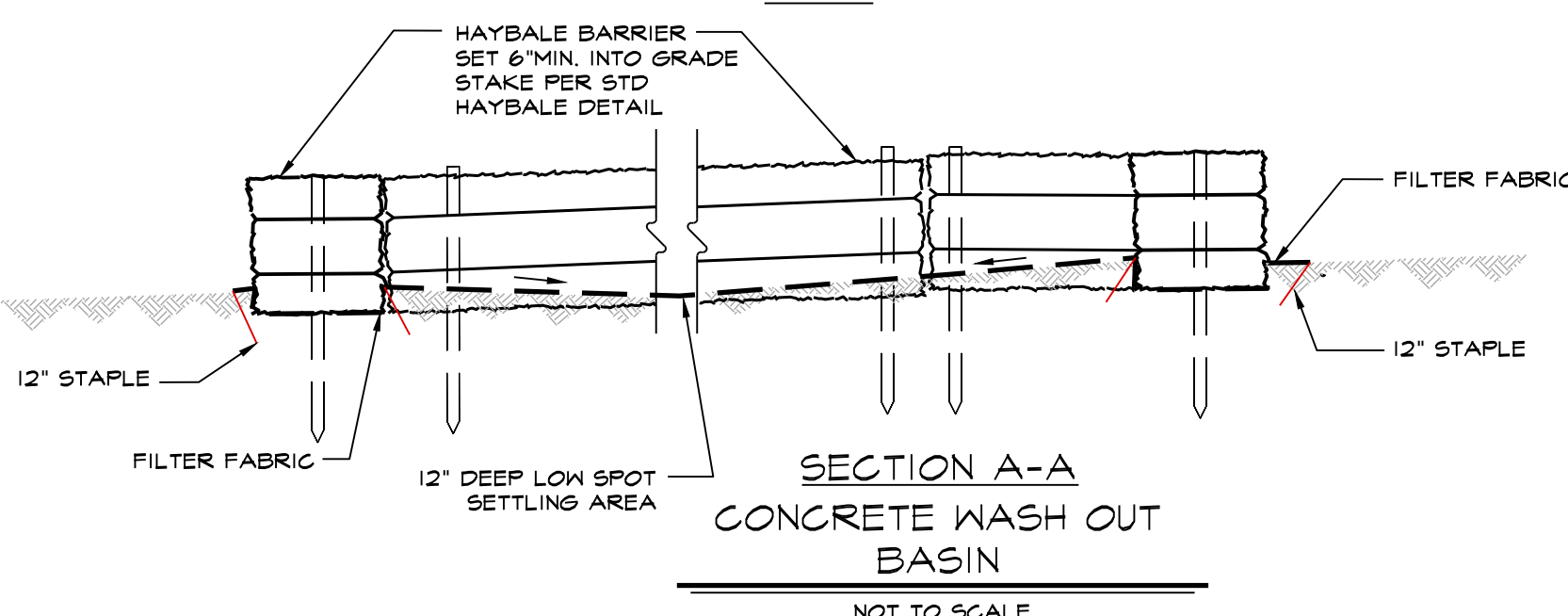
RECHARGE PROVIDED PER LOT = 168.8 x 162.9 C.F.

TOTAL RECHARGE PROVIDED = 8,271.2 C.F.

INFILTRATION AREA = 123.50 S.F.



PLAN



**SECTION A-A
CONCRETE WASH OUT
BASIN**

NOT TO SCALE

ALL CONCRETE WASTE TO BE REMOVED AND DISPOSED OF OFF SITE IN ACCORDANCE WITH ALL FEDERAL, STATE AND LOCAL RULES AND REGULATIONS

Post Hydrology (D2) Type III 24-hr Custom Rainfall=1.00"
Prepared by (enter your company name here) Printed 1/21/2020
HydroCAD® 10.00-25 s/n 01284 © 2019 HydroCAD Software Solutions LLC Page 1

Pond R1: Roof Infiltration - Chamber Wizard Field A

Chamber Model = Cultex R-150XLHD (Cultex Recharger® 150XLHD)
Effective Size= 29.8"W x 18.0"H => 2.65 sf x 10.25'L = 27.2 cf

Overall Size= 33.0"W x 18.5"H x 11.00'L with 0.75' Overlap

Row Length Adjustment= +0.75' x 2.65 sf x 2 rows

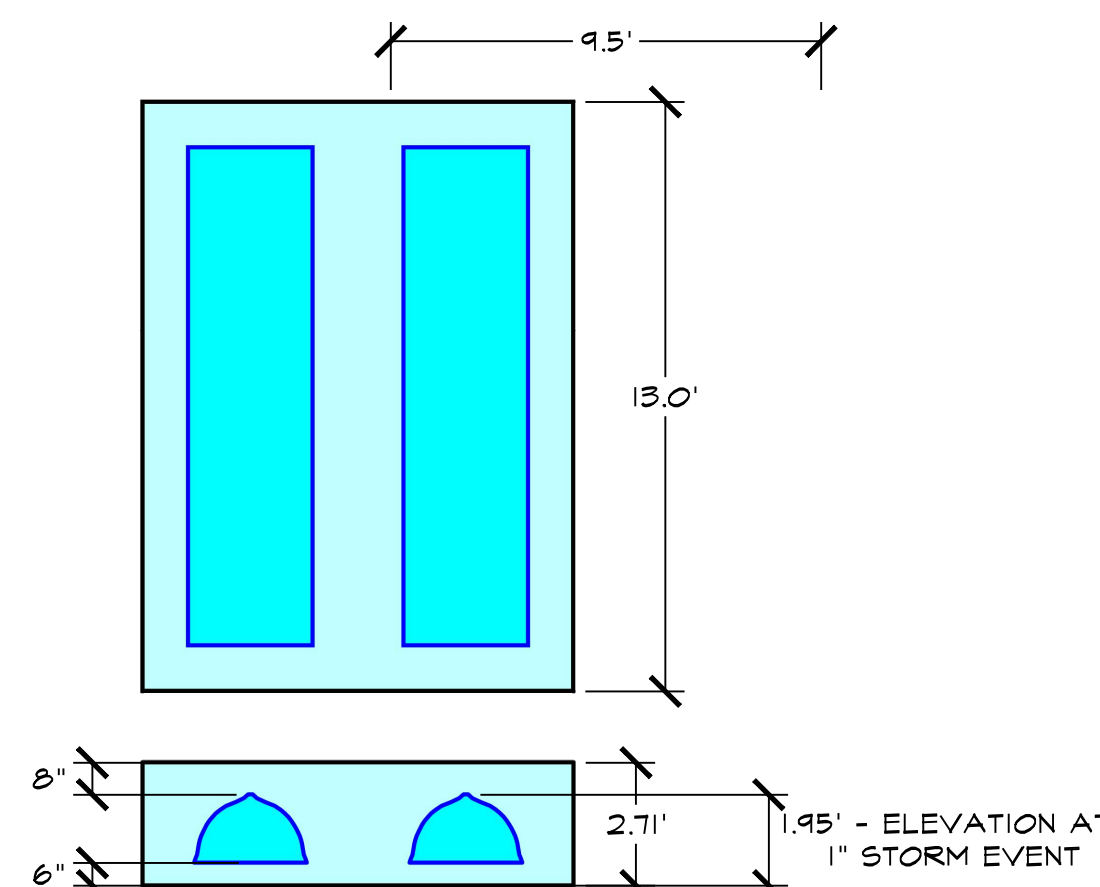
- 33.0' Wide + 24.0' Spacing = 57.0' C-C Row Spacing
- 1 Chambers/Row x 10.25' Long +0.75' Row Adjustment = 11.00' Row Length +12.0' End Stone x 2 = 13.00' Base Length
- 2 Rows x 33.0' Wide + 24.0' Spacing x 1 + 12.0' Side Stone x 2 = 9.50' Base Width
- 6.0' Base + 18.5' Chamber Height + 8.0' Cover = 2.71' Field Height

2 Chambers x 27.2 cf +0.75' Row Adjustment x 2.65 sf x 2 Rows = 58.3 of Chamber Storage

334.5 of Field - 58.3 of Chambers = 276.2 of Stone x 40.0% Voids = 110.5 of Stone Storage

Chamber Storage + Stone Storage = 168.8 cf = 0.004 af
Overall Storage Efficiency = 50.5%
Overall System Size = 13.00' x 9.50' x 2.71'

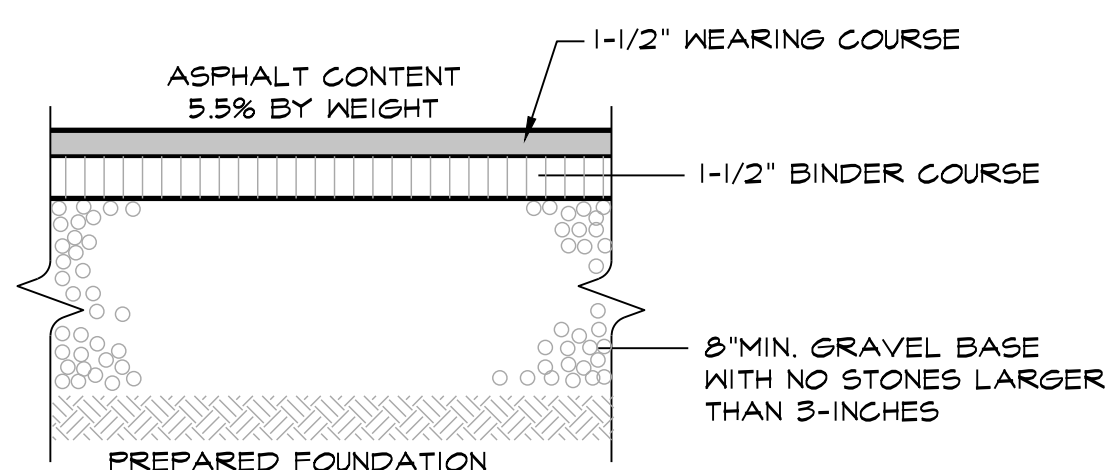
2 Chambers
12.4 cy Field
10.2 cy Stone



PLACE 2.0' ABOVE SEASONAL HIGH WATER TABLE

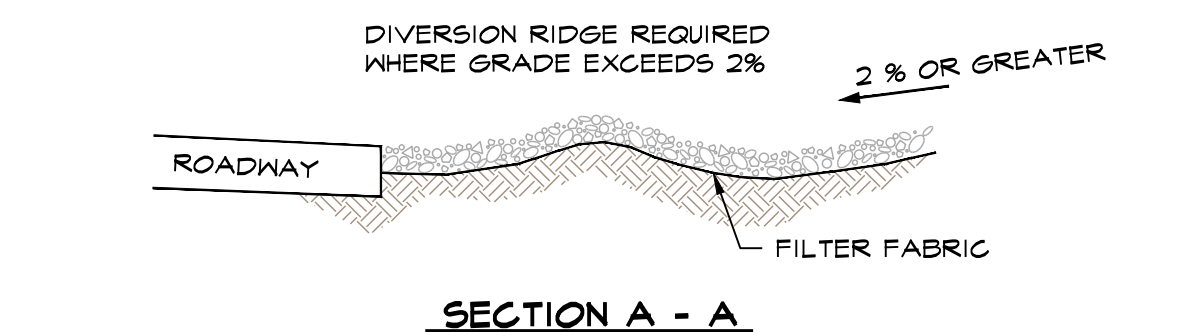
**STORM WATER RECHARGE
INSTALLATION NOTES:**

- CONTRACTOR IS RESPONSIBLE FOR ALL DOWN SPOUT PIPING TO THE PROPOSED ROOF INFILTRATION SYSTEM. LAYOUT AND CONNECTIONS WILL DEPEND ON FINAL DOWN SPOUT LOCATIONS. PIPE WILL BE 6" ADS N12 PIPE OR EQUAL.
- 2 STORM WATER INFILTRATION CHAMBERS ARE REQUIRED PER LOT. INFILTRATION CHAMBERS CAN BE INSTALLED SEPARATELY. THE DIMENSIONS FOR A SINGLE STORM WATER CHAMBER IS 4.75' x 13.0'.
LENGTH = 13.00'
SIDE STONE = 1.0'
CHAMBER LENGTH = 11.0'

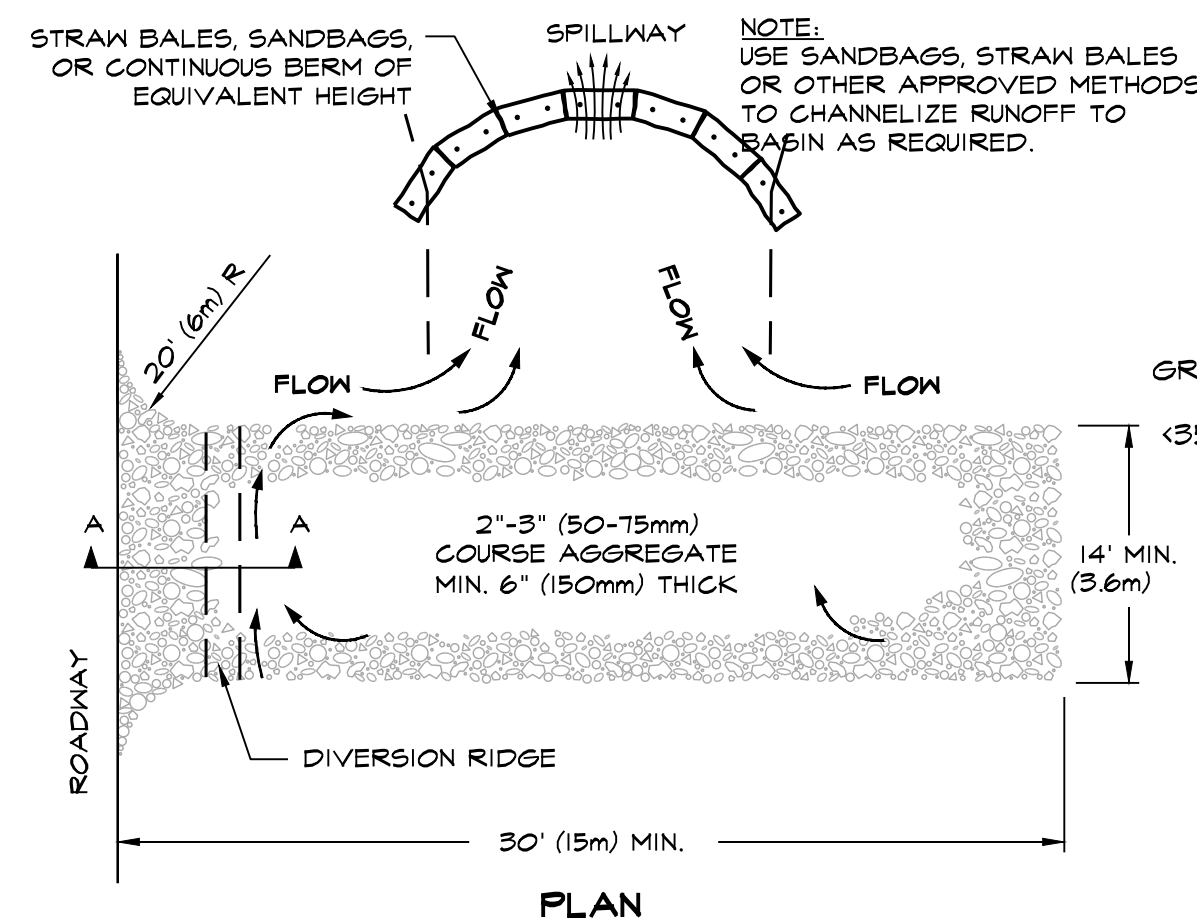


**TYPICAL
DRIVEWAY PAVEMENT SECTION**

NOT TO SCALE



SECTION A - A

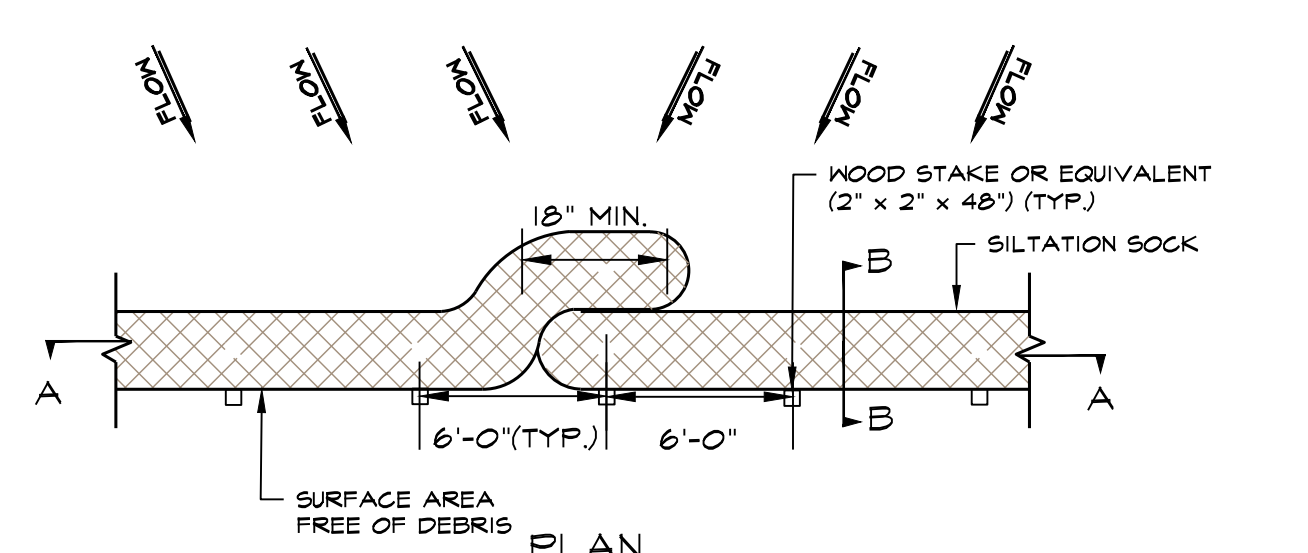


PLAN

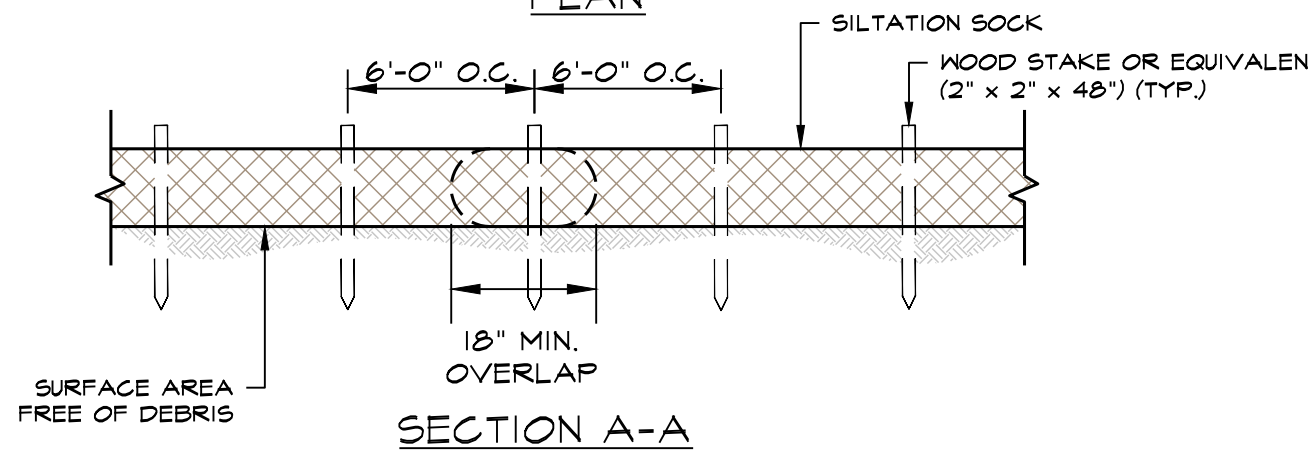
NOTES:
1. THE ENTRANCE SHALL BE MAINTAINED IN A CONDITION THAT WILL PREVENT TRACKING OR FLOWING OF SEDIMENT ONTO PUBLIC RIGHT-OF-WAYS. THIS MAY REQUIRE TOP DRESSING, REPAIR AND/OR CLEANOUT OF ANY MEASURES USED TO TRAP SEDIMENT.
2. WHEN NECESSARY, WHEELS SHALL BE CLEANED PRIOR TO ENTRANCE ONTO PUBLIC RIGHT-OF-WAY.
3. ADJACENT STREETS SHALL BE SWEPT AS REQUIRED BY OMI (SHEET 10 OF 12).

**TEMPORARY
CONSTRUCTION ENTRANCE**

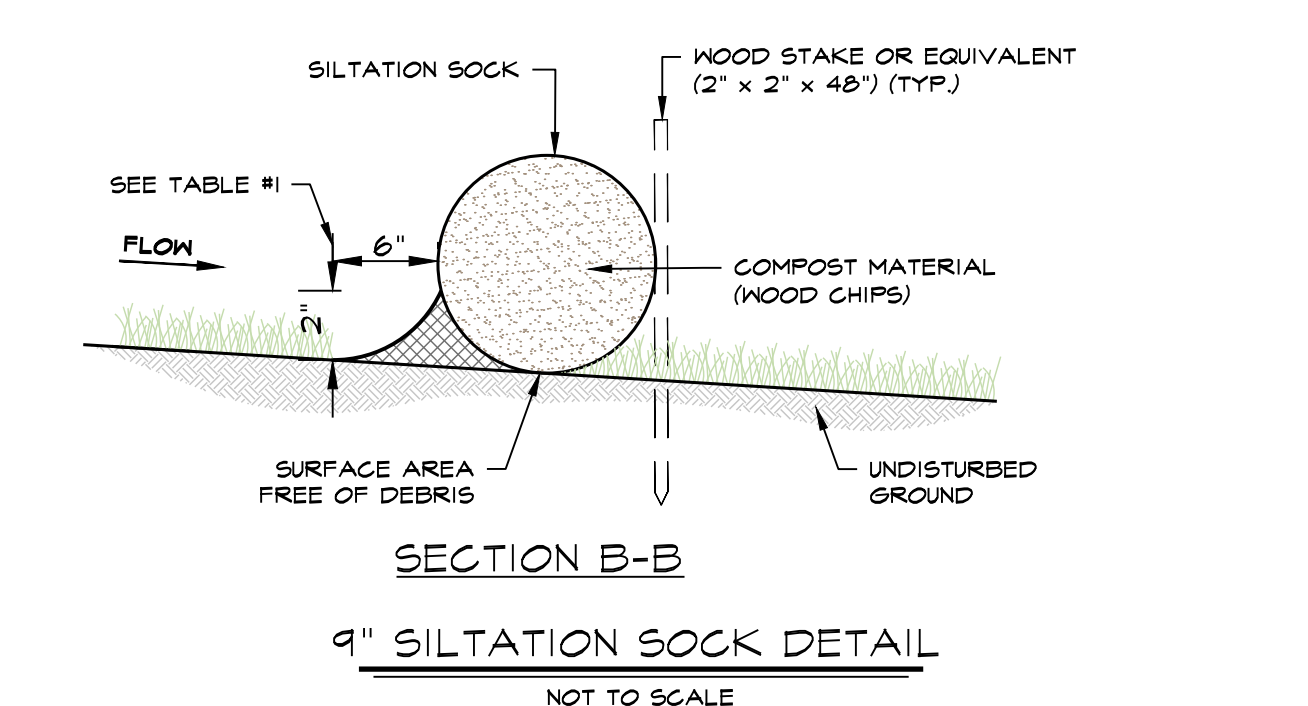
NOT TO SCALE



PLAN



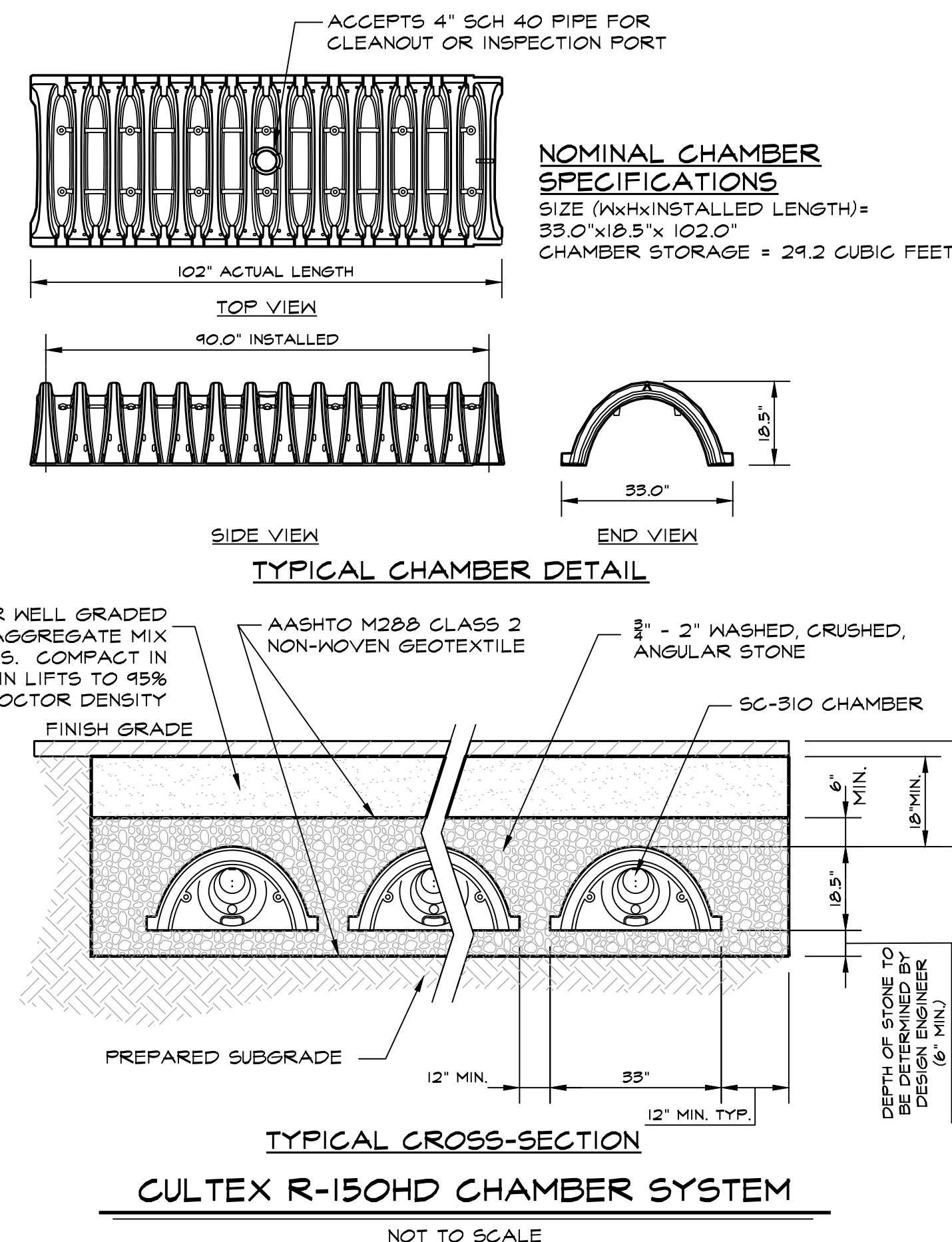
SECTION A-A



9" SILTATION SOCK DETAIL

NOT TO SCALE

- INSTALLATION NOTES:
- INSTALL SILT SOCK ON A SURFACE CLEAR OF DEBRIS.
 - OVERLAP ENDS BY A MINIMUM OF 18-INCHES.
 - END OF SILT SOCK TO BE DIRECTED UP SLOPE.
 - ON SLOPES GREATER THAN 2:1 (2:1) SEED COMPOST SOCK IS RECOMMENDED.
 - AS REQUESTED BY THE ROCKLEY CONSERVATION COMMISSION - THE STAKING OF THE FUTURE SILTATION SOCK SHALL BE STAKED ON THE DOWN GRADIENT SIDE OF THE SOCK.



TYPICAL CHAMBER DETAIL

TYPICAL CROSS-SECTION

CULTEX R-150HD CHAMBER SYSTEM

NOT TO SCALE

LEGEND

	STONEWALL
	ROOF INFILTRATION
	STREET LIGHT
	UTILITY POLE
	TEG LINE
	DRAIN LINE
	CATCH BASIN / FLARED END SECTION
	DRAIN MANHOLE
	WATER LINE
	WELL
	GATE VALVE
	WATER SERVICE
	HYDRANT
	CONTOUR
	RETAINING WALL
	EROSION CONTROL BARRIER
	DRAINAGE SWALE (LT SCALE 0.25)
	TEST PIT
	PERC TEST
	CONSTRUCTION ENTRANCE
	NRCS SOIL LINE
	EDGE OF BORDERING VEGETATED WETLANDS (BVW)
	100' BUFFER ZONE TO BVW
	50' BUFFER ZONE TO BVW
	25' NO CUT/NO DISTURBANCE ZONE
	100' VERNAL POOL HABITAT NO CUT NO DISTURBANCE ZONE
	EDGE VERNAL POOL